

# MINI HOT WATER CONDENSATE PUMP



DATA SHEET

**HARTELL**

A mini hot water condensate pump designed to be used with condensate water up to **100°C**. This pumps has flow rates up to 208ltr/hr and pumping heads of 4 metres.

230V

1 YEAR WARRANTY



Low profile pump

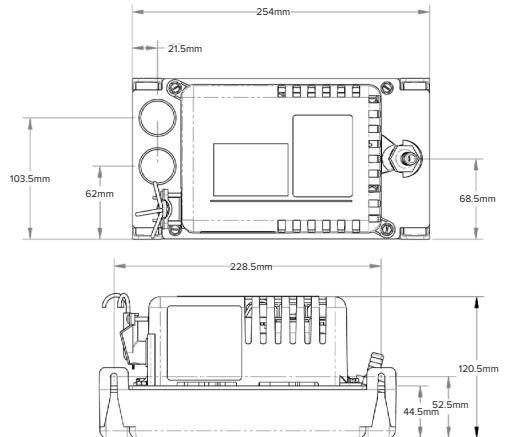
Built in check valve

Plenum fire rated

## Specification

	HT-KL-1DG
Input Voltage:	230V 50Hz +/- 10%
Pumping Head:	4 metres
Max Flow Rate:	208ltr/hr
Noise Level:	45dBA
Water Temperature:	5-100°C

## Dimensions



Version 1.01/2020

**HYDRON**

**HYDRON PUMPS**  
Unit 3, Drake Business Park  
Drake House Crescent, Sheffield, S20 7HT

T: 01246 432325  
F: 01246 432324  
E: sales@hydronpumps.co.uk

## Additional Information

- Built in check valve
- High temperature float assembly
- Low profile pump
- High level alarm contacts
- Plenum fire rated

## Flow Rates

PERFORMANCE	1m	2m	4m
HT-KL-1DG	208ltr/hr	175ltr/hr	140ltr/hr

Code	Pumping Head	Dimensions (L x W x D mm)
HT-KL-1DG	4 metres	254 x 137 x 120.5